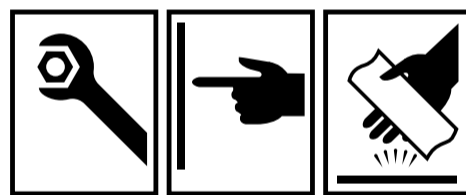
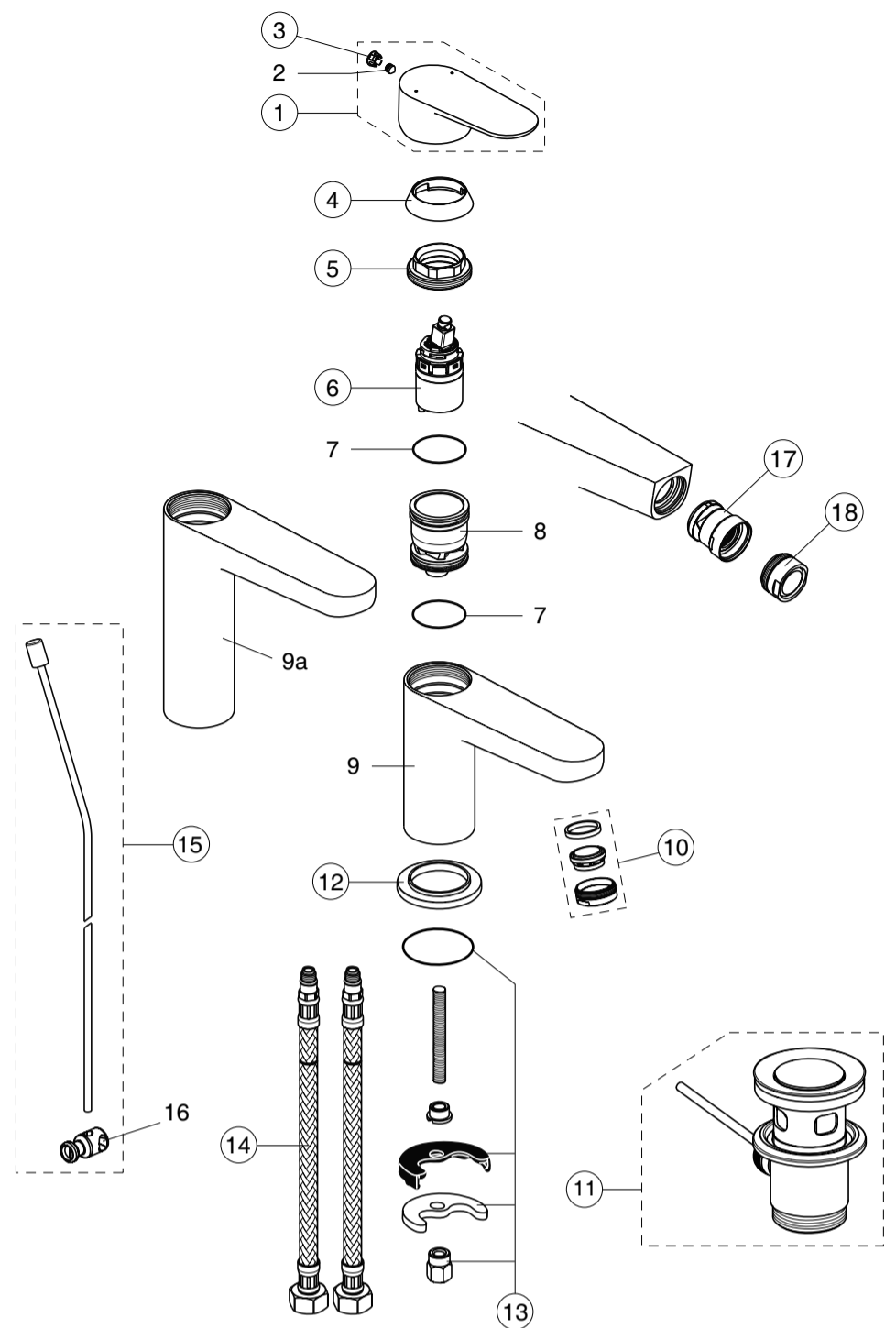
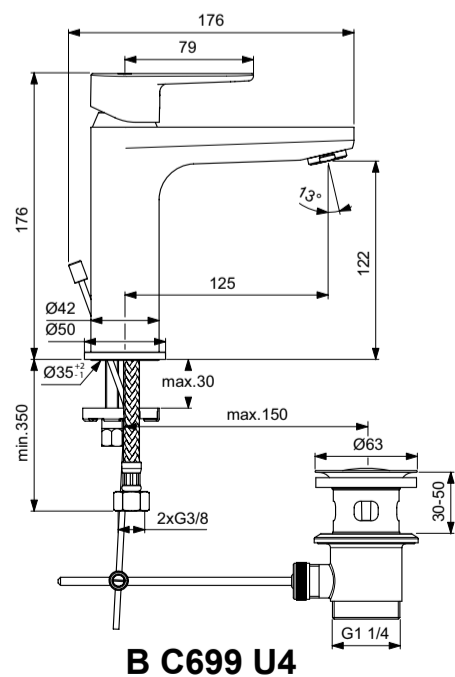
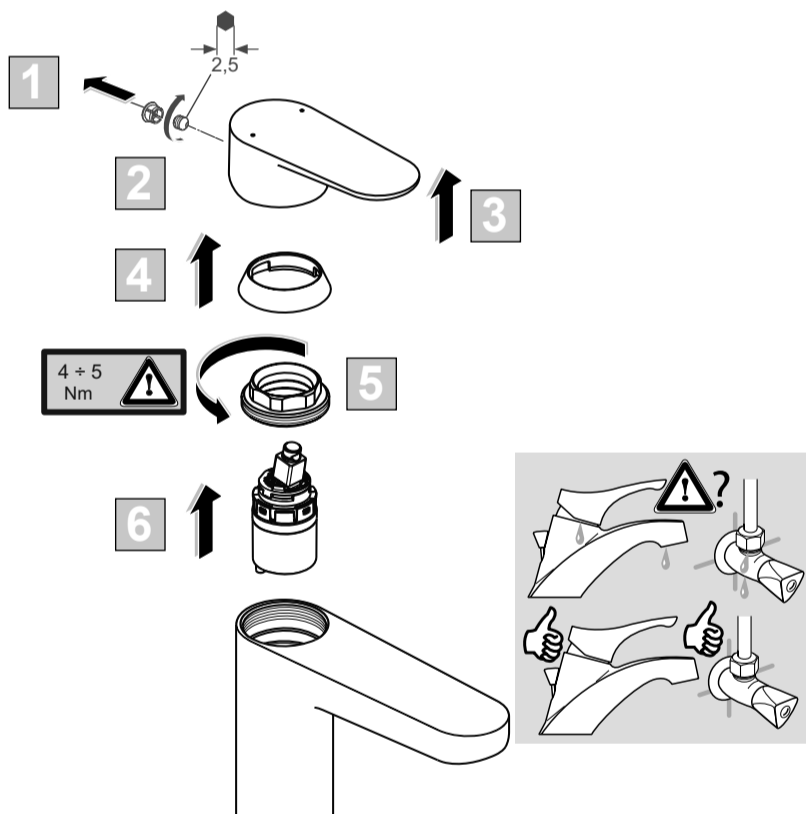
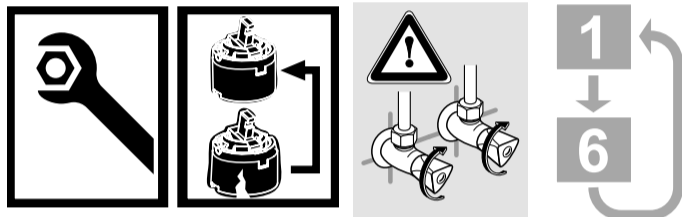




Ordering spares / Ersatzteil - Regelung / Pièces de rechange / Parti di ricambio / Lista de recambios / Onderdelen bestellen (NL/B) / Κωδικοί Ανταλλακτικών / Bestilling af reservedele / Beställning av reservdelar / Bestilling av reservedeler / Резервни части / Запчасти / Części zapasowe / Piese de schimb / Rendelhető alkatrészek / Запасні частини / Резервни делови / Резервни делови / Atsarginių dalių / Tellitavad varuosad / Rezerves daļas / Náhradní díly / Náhradné diely / Yedek parça siparişi / Nadomestni deli

XX = AA, AD,

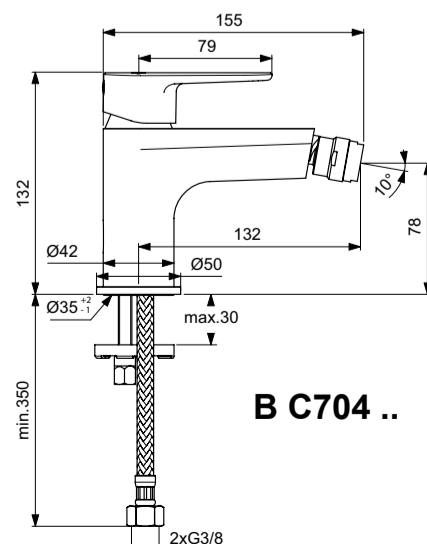
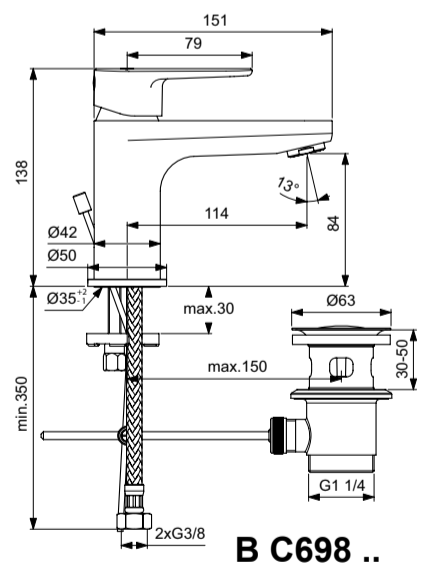
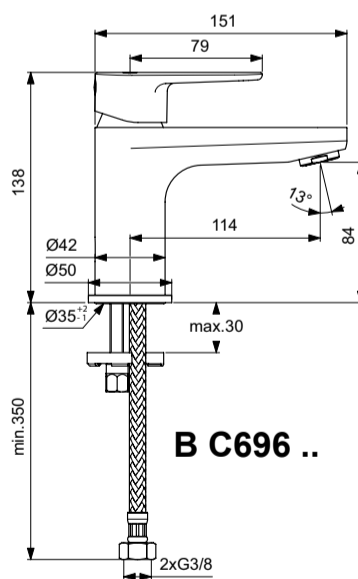
- | | |
|------------------|------------------|
| 1 - B 961644 XX | 13 - B 964702 NU |
| 3 - B 964696 NU | 14 - A 962005 NU |
| 4 - A 861080 XX | 15 - B 961384 XX |
| 5 - B 961645 NU | 17 - A 960063 XX |
| 6 - A 861397 NU | 18 - B 960754 XX |
| 10 - B 961383 XX | |
| 11 - A 962991 XX | |
| 12 - B 960712 XX | |



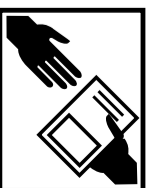
Ideal Standard

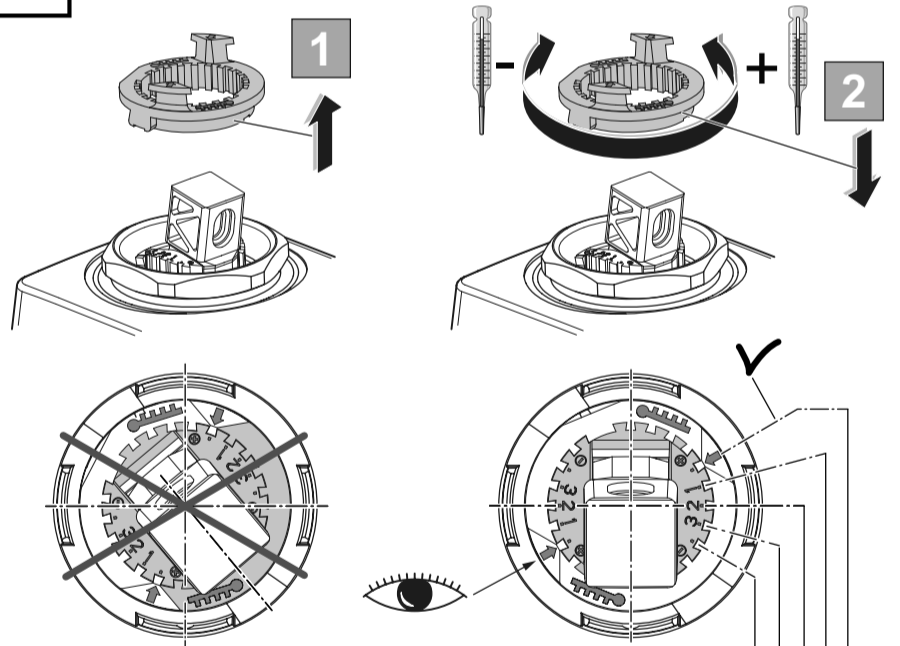
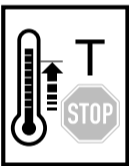
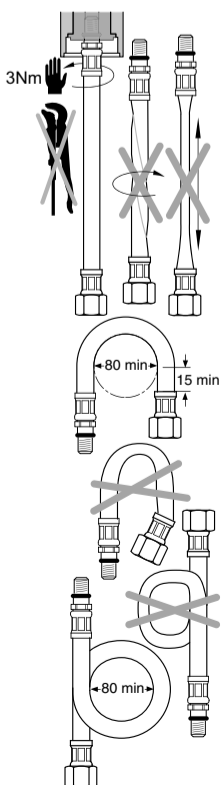
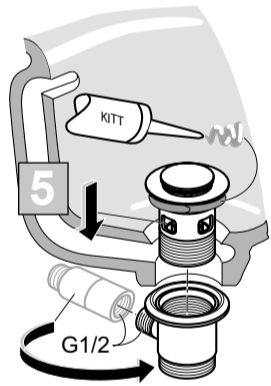
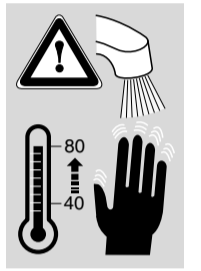
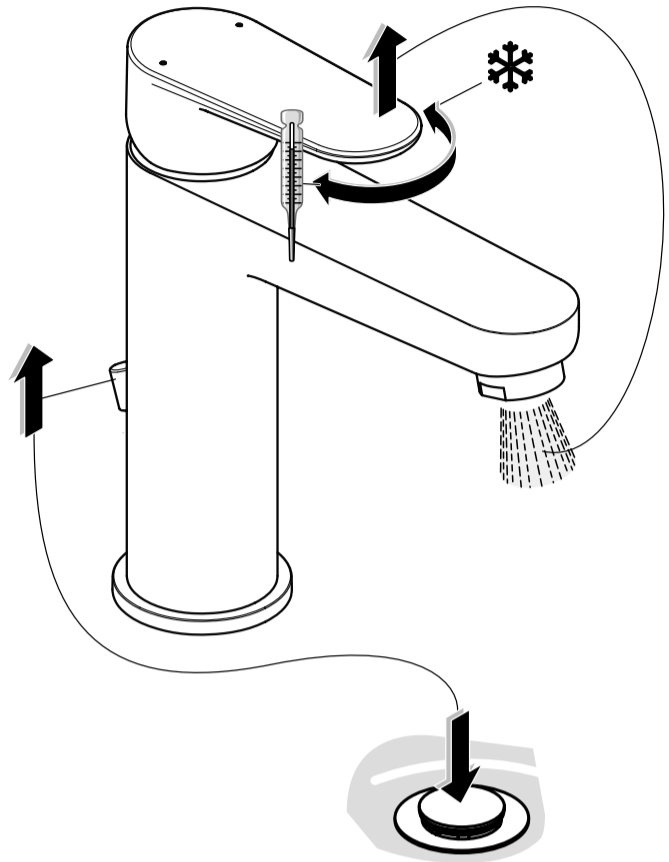
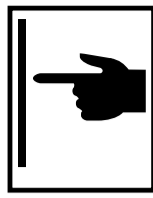
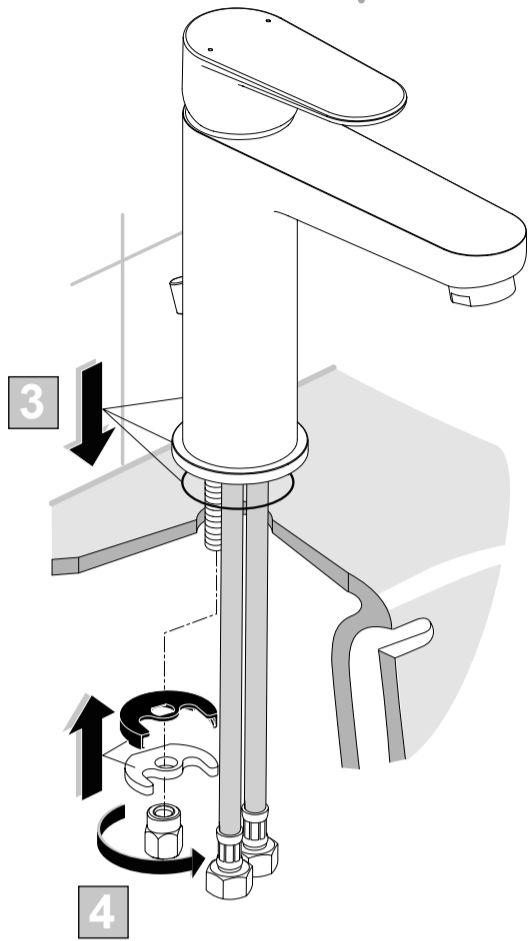
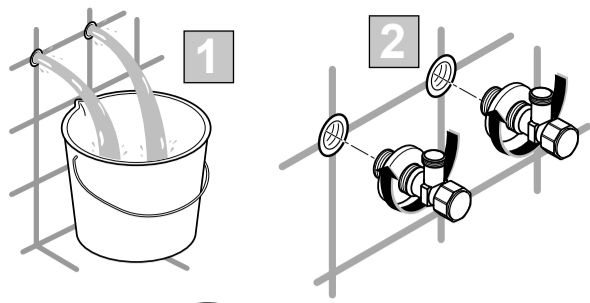
CERAFINE MODEL O

04.2020 / B665933

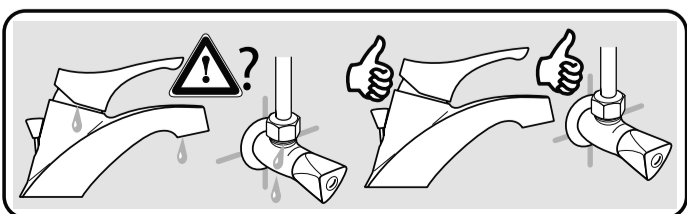
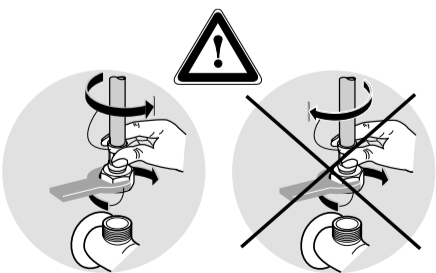
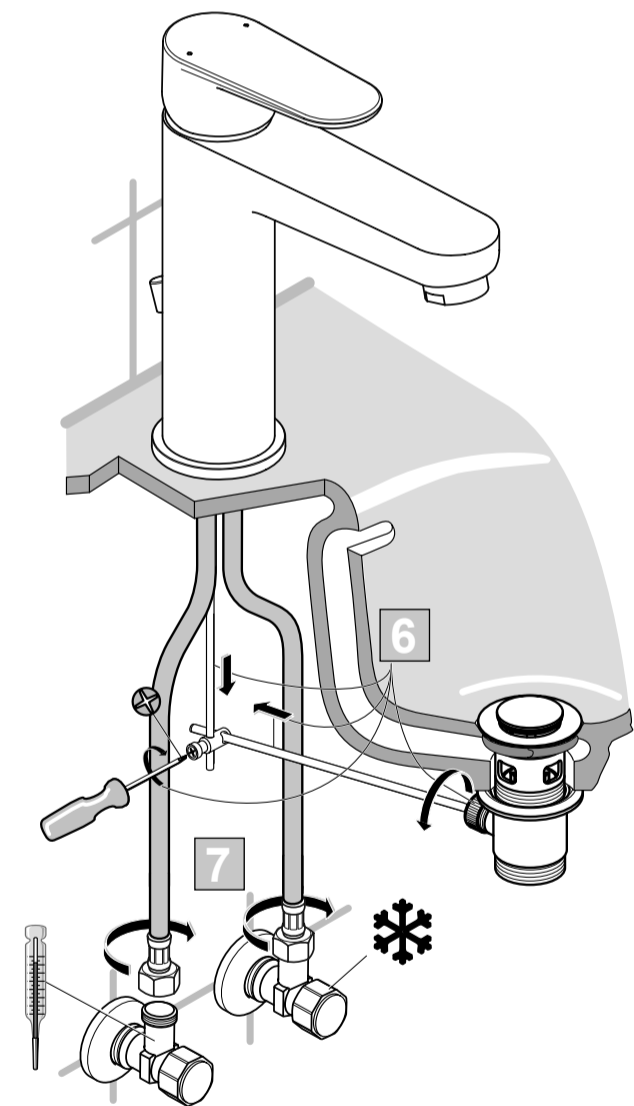


Ideal Standard International NV
Corporate Village – Gent Building
Da Vincilaan 2
1935 Zaventem
Belgium
<http://www.idealstandardinternational.com>





| P | T | Temperature (°C) | | | | |
|------|------|------------------|----|----|----|----|
| | | 4 | 3 | 2 | 1 | 0 |
| 50°C | 15°C | 27 | 33 | 41 | 48 | 50 |
| 65°C | 15°C | 33 | 42 | 53 | 63 | 65 |
| 85°C | 15°C | 41 | 53 | 68 | 83 | 85 |



| | | | | | |
|---|-----|-----|---------|----|-----------|
| P | bar | 0,5 | MAX. 10 | 5 | Q (3 bar) |
| T | °C | | MAX. 80 | 65 | l/min |
| | | | | 40 | 5 |