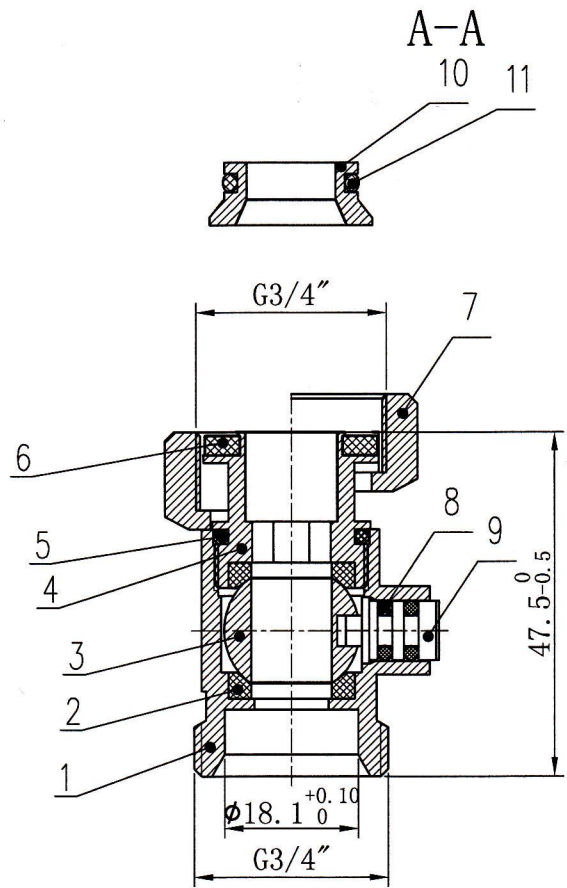
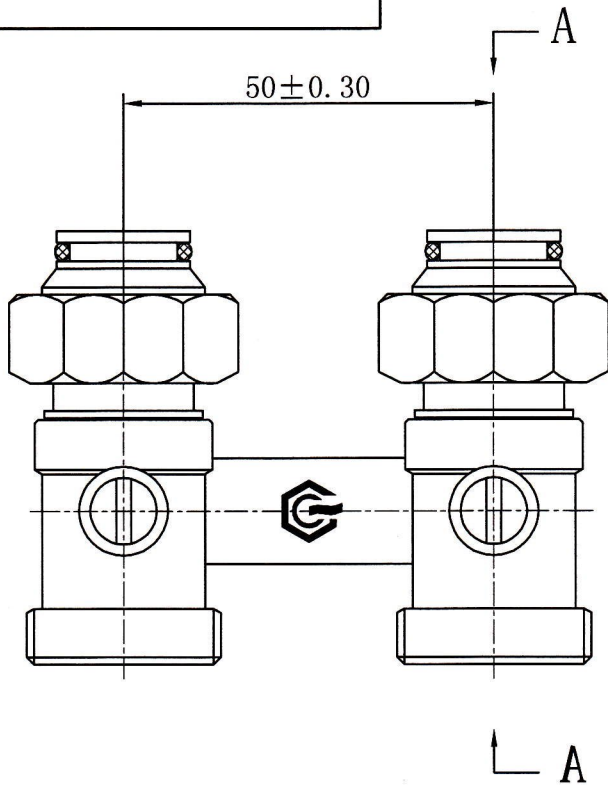
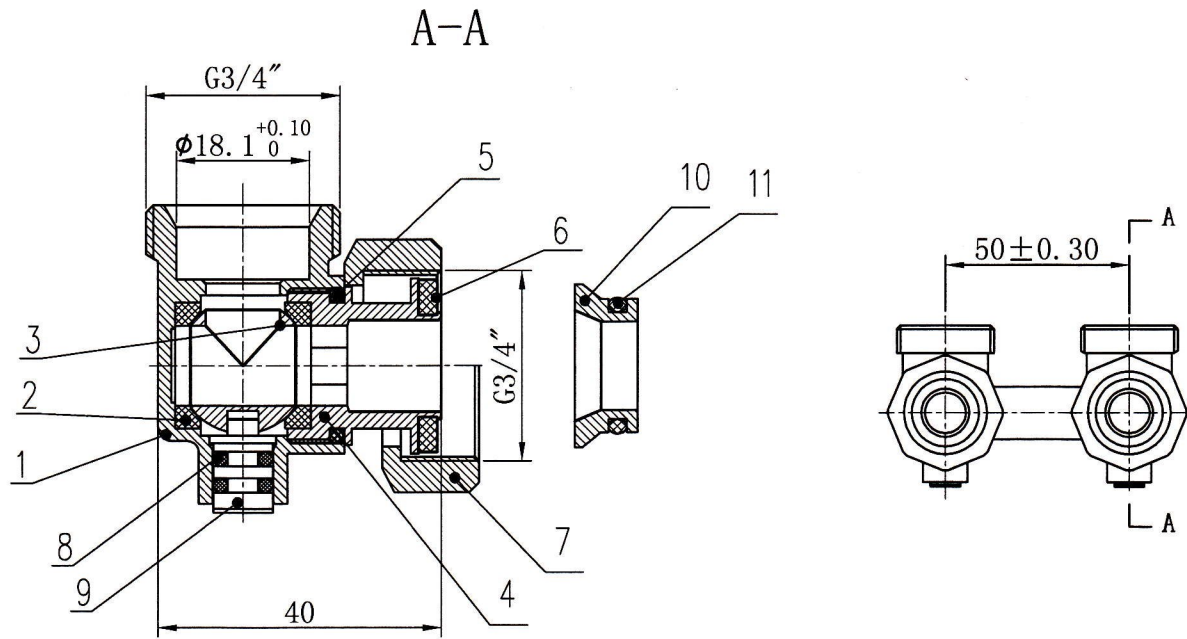


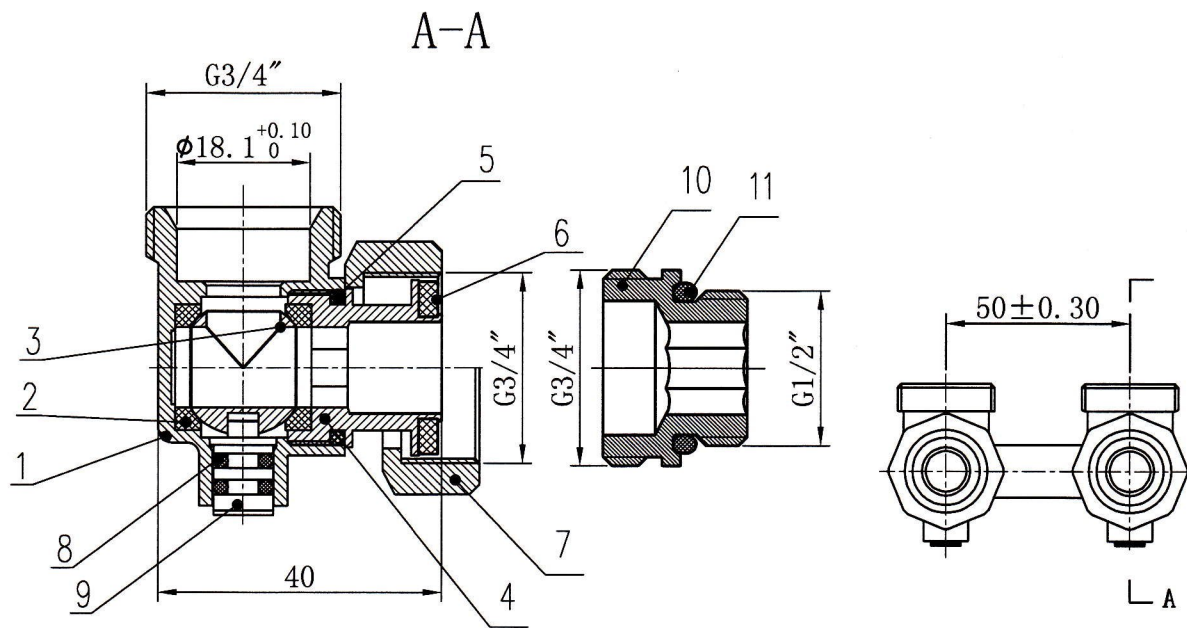
11		O Ring	2	EPDM		
10		Joint	2	CW615N		
9		stem	2	CW615N		
8		O Ring	4	EPDM		
7		Nut	2	CW615N		
6		Gasket	2	EPDM		
5		O Ring	2	EPDM		
4		Bonnet	2	CW615N		
3		ball	2	CW615N		
2		seals	4	PTFE		
1		Body	1	CW615N		



11		O Ring	2	EPDM			
10		Joint	2	CW615N			
9		stem	2	CW615N			
8		O Ring	4	EPDM			
7		Nut	2	CW615N			
6		Gasket	2	EPDM			
5		O Ring	2	EPDM			
4		Bonnet	2	CW615N			
3		ball	2	CW615N			
2		seals	4	PTFE			
1		Body	1	CW615N			



11		O Ring	2	EPDM		
10		Joint	2	CW615N		
9		stem	2	CW615N		
8		O Ring	4	EPDM		
7		Nut	2	CW615N		
6		Gasket	2	EPDM		
5		O Ring	2	EPDM		
4		Bonnet	2	CW615N		
3		ball	2	CW615N		
2		seals	4	PTFE		
1		Body	1	CW615N		



11		O Ring	2	EPDM			
10		Joint	2	CW615N			
9		stem	2	CW615N			
8		O Ring	4	EPDM			
7		Nut	2	CW615N			
6		Gasket	2	EPDM			
5		O Ring	2	EPDM			
4		Bonnet	2	CW615N			
3		ball	2	CW615N			
2		seals	4	PTFE			
1		Body	1	CW615N			