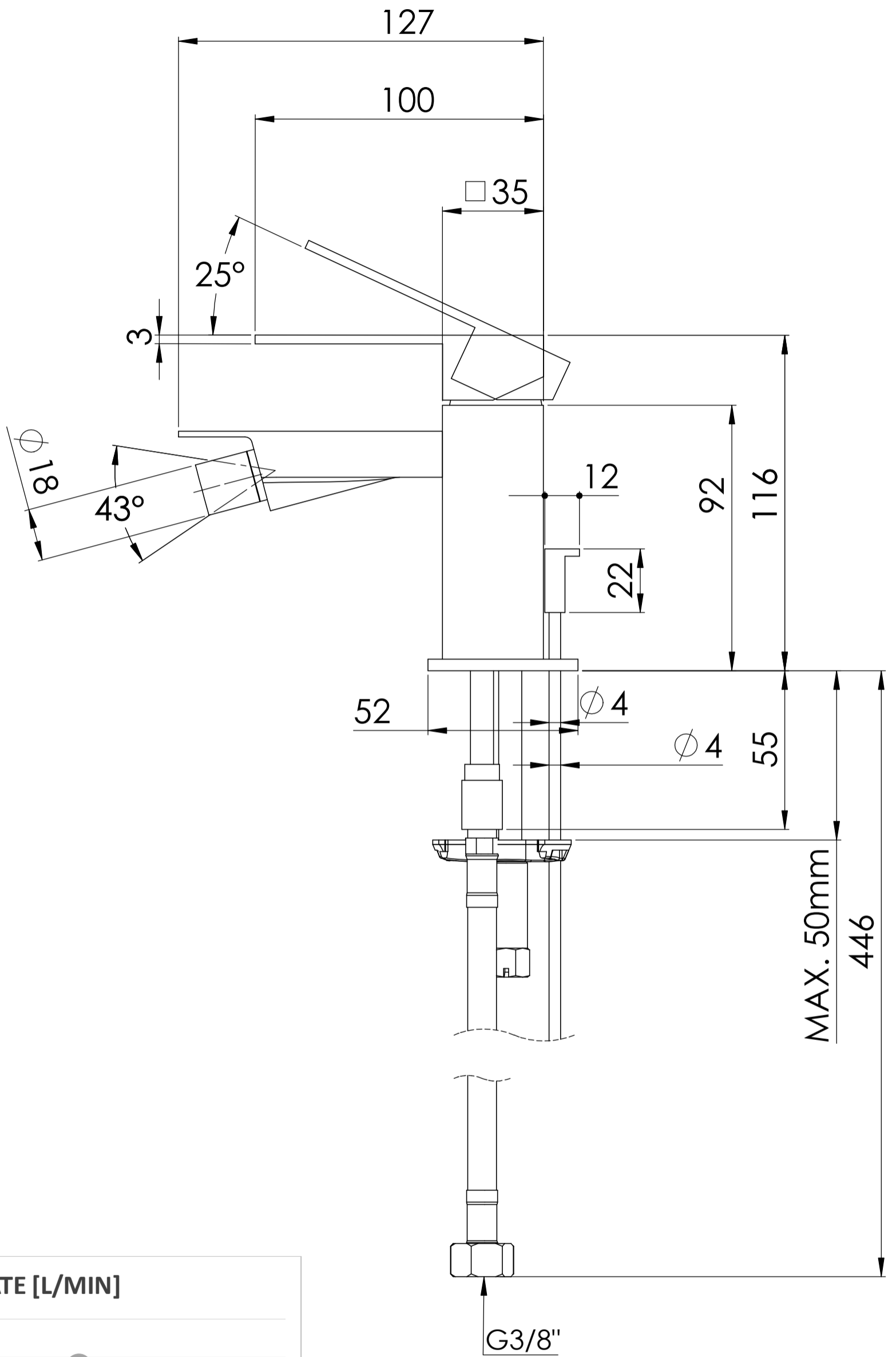


Num. articolo	cod. REMER	cod. DANIEL
1	Z52	A846
2	GH29	GH29
3	OR2035178	OR2035178
4	OR2512178	OR2512178
5	CAD10	CRCAPDV
6	85SN16	A85SNCR16
7	83F16	A81CR16
8	SK605BA	CRSK605BA
9	VT36	VTBR36
10	114PRZ40	DV605PRTUB
11	MASK	SK630
12	TAMASQ	23630BOCR
13	10838F40DVGW	A9704010DVGW
14	AS4	ASELICR4
15	ZPOM	DASK605PO
16	FISSE18	FISSK605
17	95LS80	95LS80
18	83C	A81KEY16

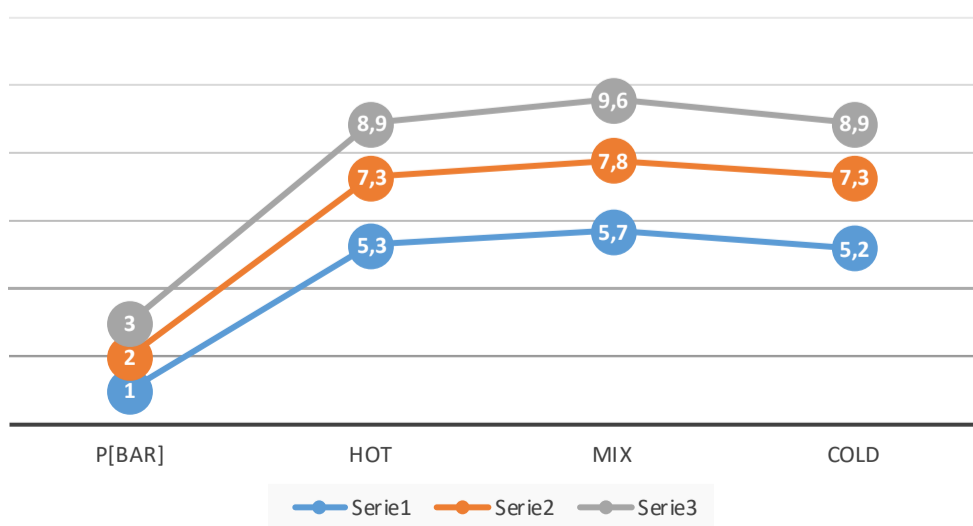
Data: 23/07/2021

Cod. : 93 727 10

Apice
A



FLOW RATE [L/MIN]



Data: 23/07/2021

Cod. : 93 727 10

Apice
A