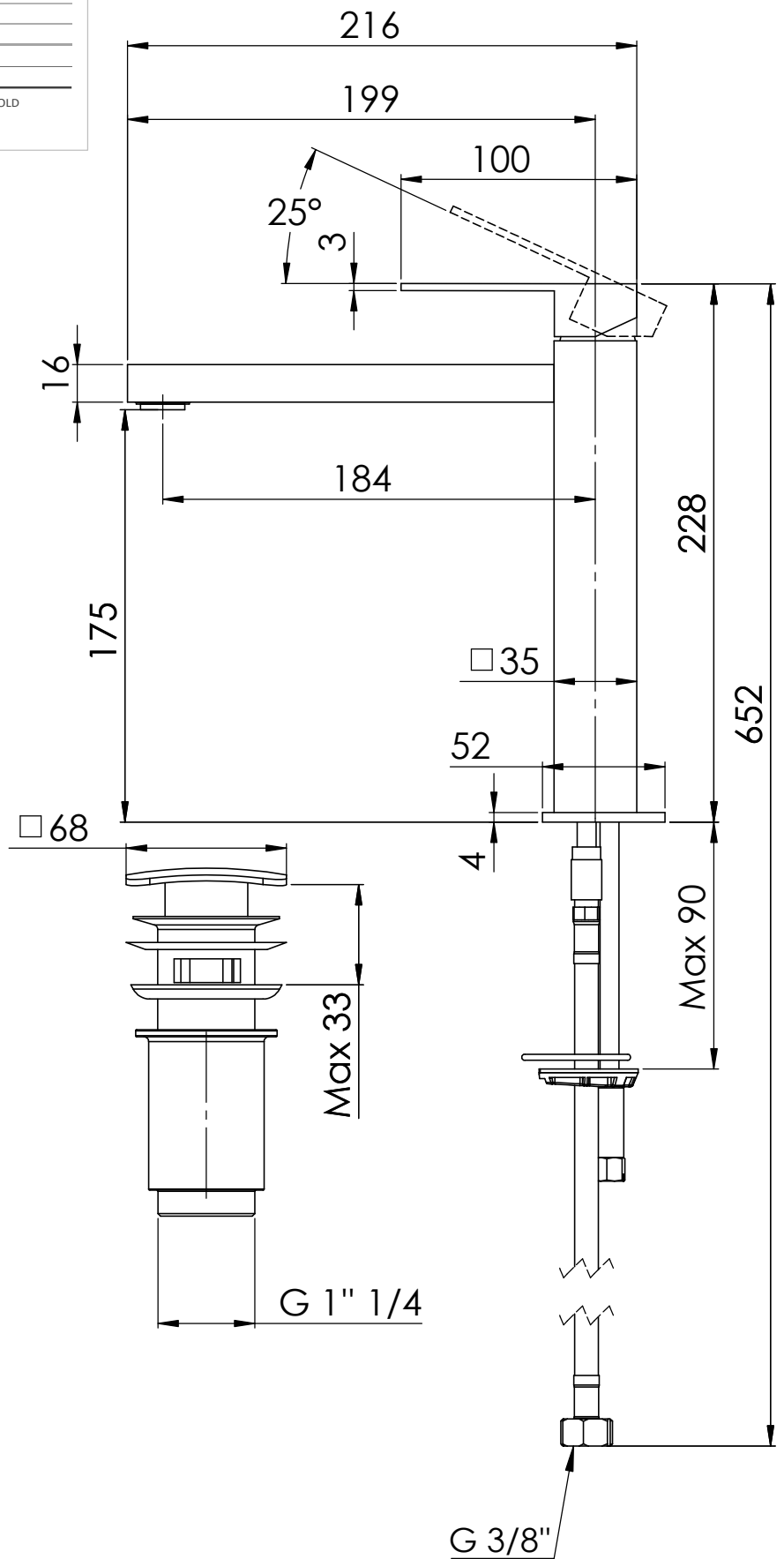
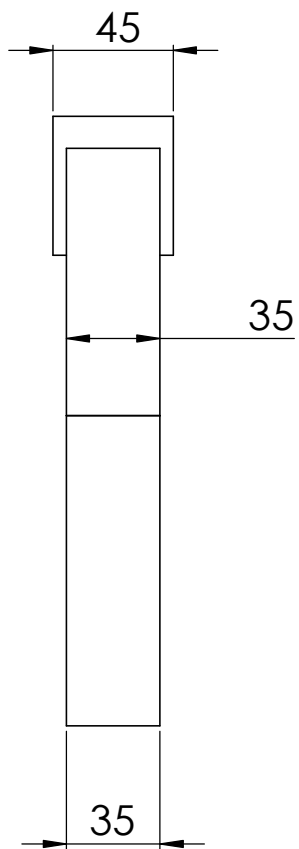
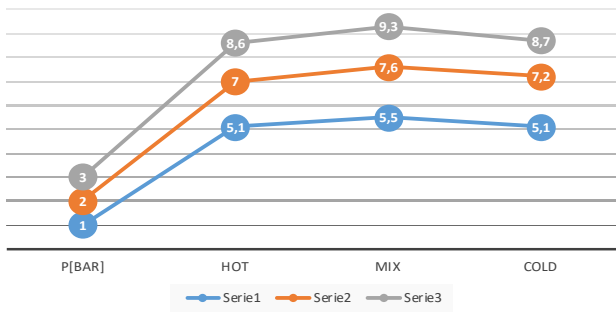


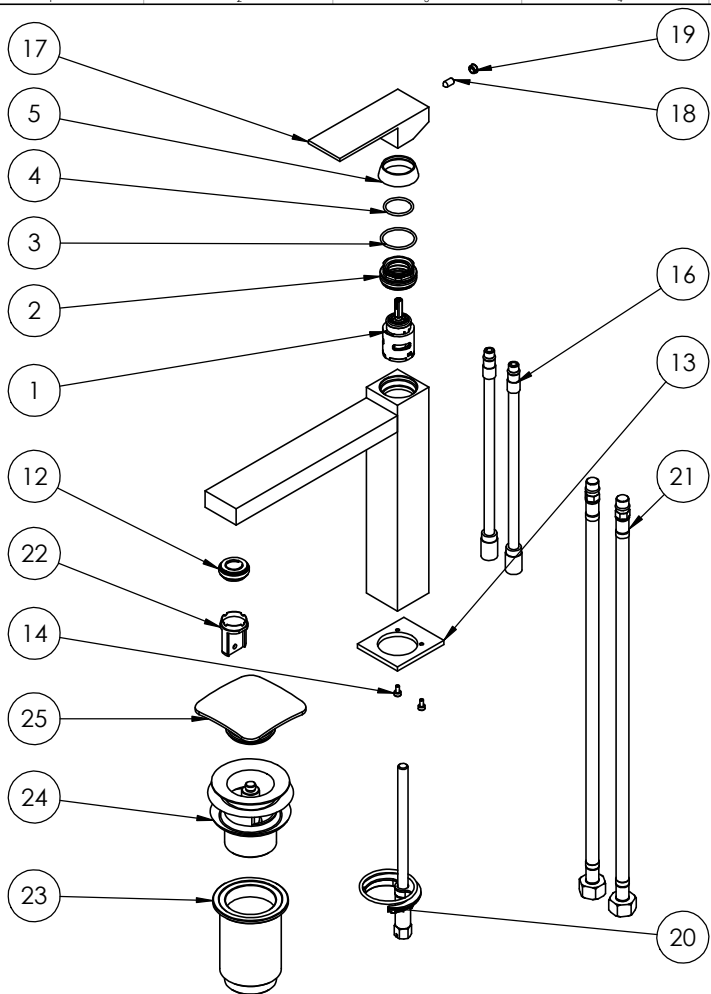
**FLOW RATE [L/MIN]**



Data: 02/04/2021

Cod. : 9372707

Apice  
A



Num. articolo	cod. REMER	cod. DANIEL
1	Z52	A846
2	GH29	GH29
3	OR2512178	OR2512178
4	OR2035178	OR2035178
5	CAD10	CRCAPDV
6	DASK607RA1	SK607RA1T
7	OR0873178	OR0873178
8	OR0925178	OR0925178
9	DASK607RA2	SK607RA2T
10	DASK607BO	CRSK607BO
11	SPIN310	SPIN310
12	83Z40	A803FLAT
13	SK607BA	CRSK607BA
14	VT36	VTBR36
15	DASK607PRTR	SK607PRTRT
16	114PRM8	23607TUBCR
17	MASK	SK630
18	GR58	GR5X8
19	TAMASQ	23630BOCR
20	FISSE18	FISSK605
21	10838F40DVGW	A9704010DVGW
22	83Z40C	A803KEYFLAT
23	905CO	A735COCR
24	905PI	A735PI
25	905STA	A737TA

Data: 02/04/2021

Cod. : 9372707

Aplice  
A