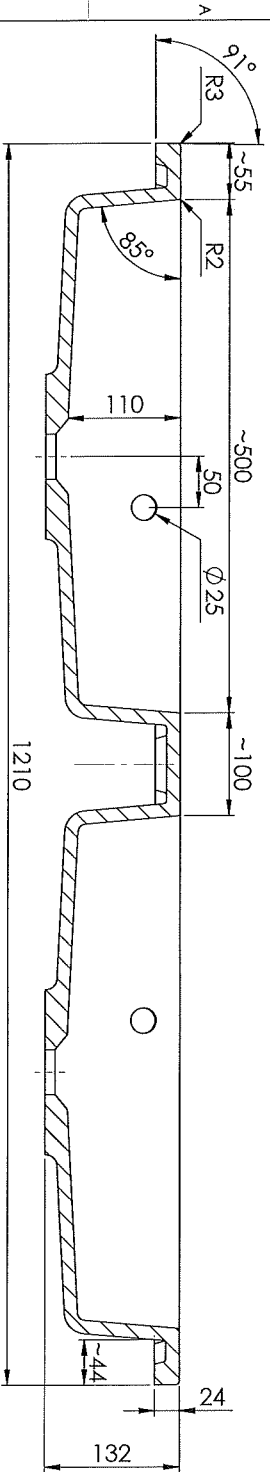
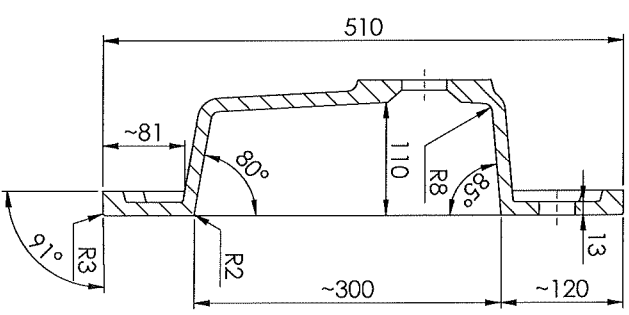


TRENDY K200166585

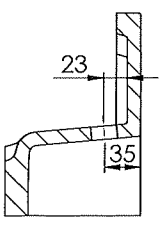
| Rev | Design Change Note | Author | Date |
|-----|--------------------|--------|------------|
| 001 | First Issue | KW | 2017-02-17 |



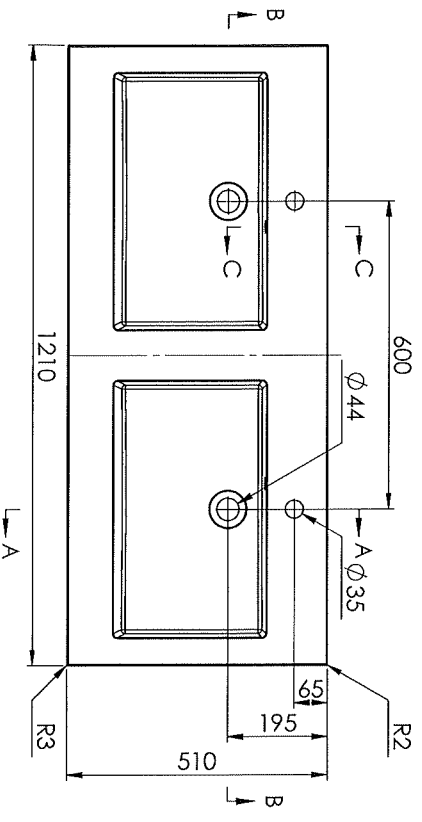
B-B (1 : 5)



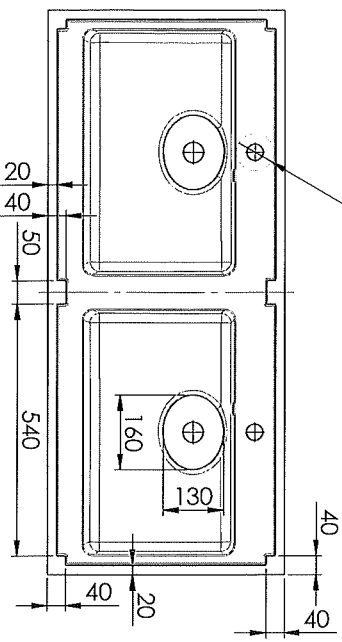
A-A (1 : 5)



C-C (1 : 5)



Bottom view/
Widok od dołu/
Ø80 Flat area/Powierzchnia płaska



| | | | | | | | | | | | | |
|--------------------------|--------|--------------|----------------------|----------|--------------|------------|-----------------------|------------|------------|--------------|------------|----------|
| Tolerance total | length | +3/0 mm | Drawn by | Karlin A | Created Date | 2014-07-04 | Checked by | Zbigniew P | Art. Name: | AZARIA 1210D | Model No: | FA310124 |
| | width | +2/0 mm | Project table: | Approved | Client | MARONESE | Material volume (mm³) | 12545236 | Art. No: | 62900112420x | Sheet size | A3 |
| Tol. height side walls | height | +2/-2 mm | Material weight (mm) | 1872783 | Scale | 1:10 | Current revision | 001 | | | | |
| | >25 mm | +1/-1 mm | Surface area (mm²) | | | | | | | | | |
| Tolerance holes location | | +2/-2 mm | | | | | | | | | | |
| Tolerance holes diameter | | +1/-1 mm | | | | | | | | | | |
| Tolerance plane bending | | +1,5/-1,5 mm | | | | | | | | | | |

This document must not be copied without our written permission, and the contents thereof must not be imparted to a third party nor be used for any unauthorized purpose. Contravention will be prosecuted.