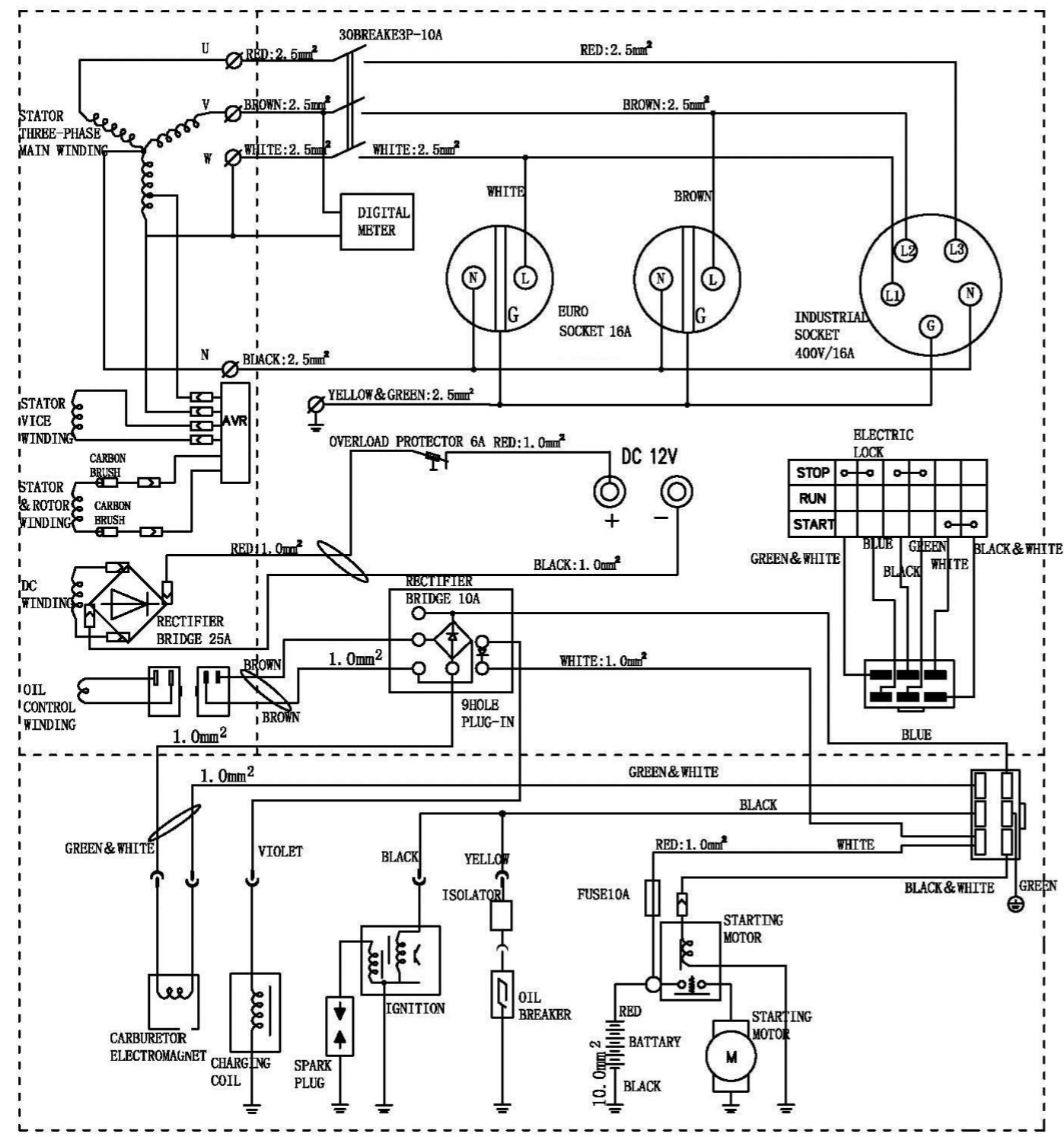


LT9000EN3-6 (单相230V、双16A欧插、三相五孔400V工业插) 电气原理图

WIRE DIMENSION
OF MAJOR LOOP: 5.0kW 1.5mm² 30BREAKE : 5.0kW 3P7.3A
YELLOW&GREEN 1.5mm² 6.0kW 3P8.7A
6.0kW-7.0kW 2.5mm² 7.0kW 3P10A
YELLOW/GREEN : 2.5mm²



Maße werden besonders geprüft
especially checked dimensions

Erstmusterprüfung
first sample examination
Bescheinigung EN 10204
certification EN 10204

Werkstoff material / substance	Allgemeintoleranzen general tolerances	Projection E 	Oberfläche / surface EN ISO 1302	KÄRCHER®
Halbzeug semi finished product	Tolerierung / toleration	dimensions in mm	Material-Nr. / material no. 0.090-022.0	
		Benennung / description SLP PGG 8/3 Wiring diagram PGG 8/3		
Werkstoffbez. / mat. designation	<input type="checkbox"/> geprüft checked	document	number	type
Schweißtechn. / welding techn.	<input type="checkbox"/>	0.090-022 SLP PGG 8/3	35624927	SLP 00 FR
Ausgabedatum date of issue	Gezeichnet drawn by	Technische Referenz technical reference	Genehmigt approved by	Änderung / Engineering change index
2018-10-09	AW02415	AW03263	AW03263	Anzahl / count
		2110755		ersetzt / replaces Datum / date
				index

Compliance with the current version of Kärcher standard KN 050.032 Constituent substances (ban of lead, cadmium, etc.) must be guaranteed. Standard date format according to ISO 8601 (YYYY-MM-DD). The reproduction, distribution and utilization of this document as well as the communication of its contents to others without explicit authorization is prohibited. Offenders will be held liable for the payment of damages. All rights reserved in the event of the grant of a patent, utility model or design. Copyright © Alfred Kärcher SE & Co. KG