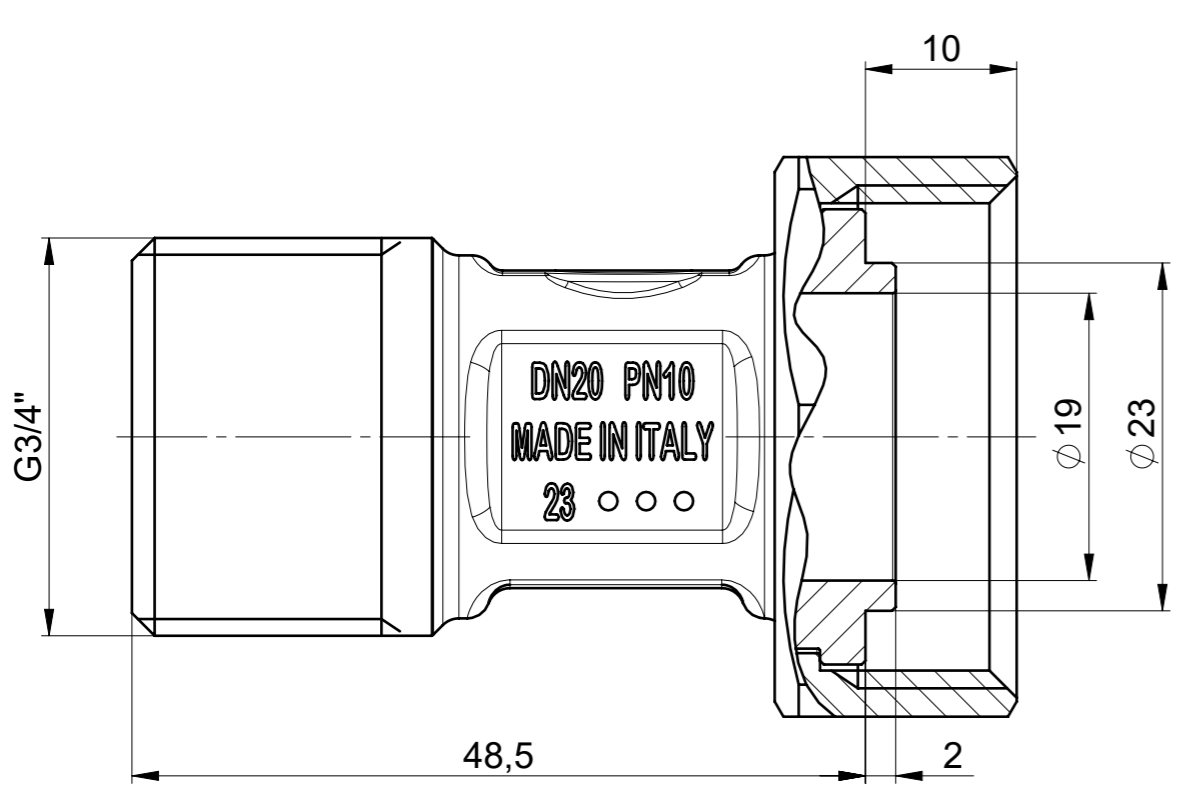
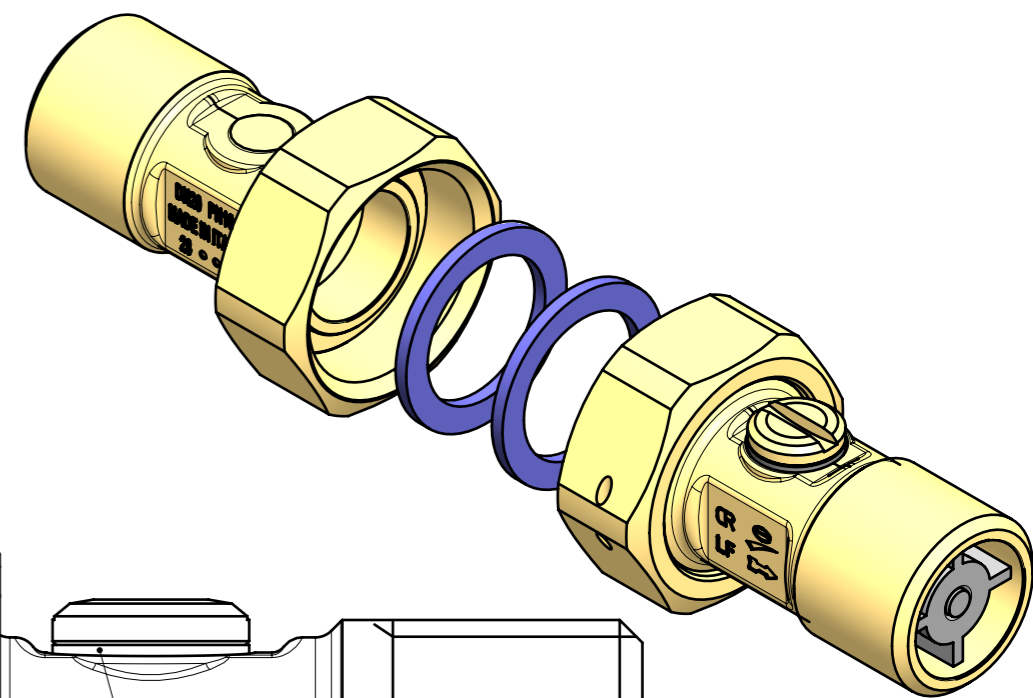
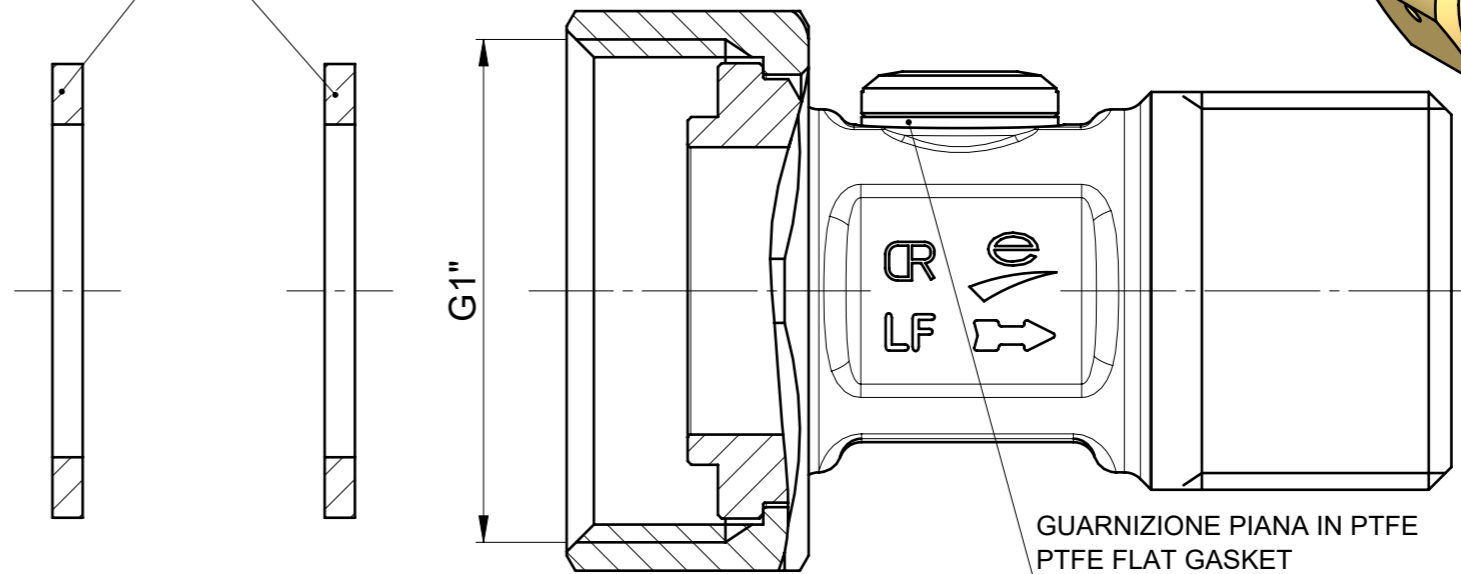


The exclusive ownership of this drawing is of Eurotermo Srl and in no case does the recipient acquire any rights relating to it. The recipient of the drawing undertakes to maintain maximum confidentiality on the same and not to make any use of it, in whole or in part, that is not previously authorized in writing by Eurotermo Srl. The recipient also undertakes to impose and guarantee compliance with the aforementioned obligations to its employees and / or collaborators, including external ones, by responding to Eurotermo Srl of any violations on their part.

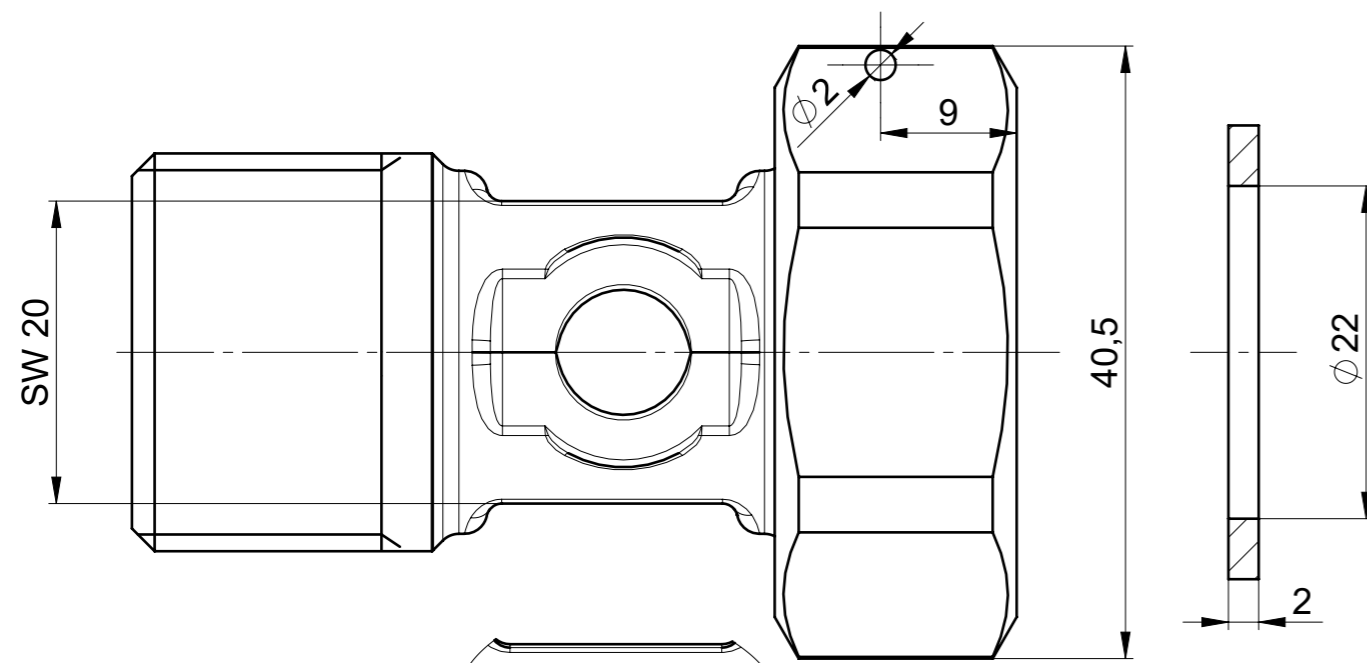
<b>Normative / Stds reference</b> UNI EN 13828:2004	<b>Condizioni di utilizzo / Terms of Use</b>	
<b>Compatibilità / Compatibility</b> UBA list	Acqua Pressione massima 10bar Temperatura massima in continuo 70°C Temperatura di picco 90°C Temperatura minima -10°C No SHOCK termico Funzionalità garantita solo a valvola aperta o chiusa, non parzialmente aperta o chiusa	Water Maximum pressure 10bar Maximum temperature in continuous 70°C Peak temperature 90°C Minimum temperature -10°C No thermal SHOCK Functionality is guaranteed only with open or closed valve, not partially open or closed
<b>Certificazioni / Homologations</b>	-	



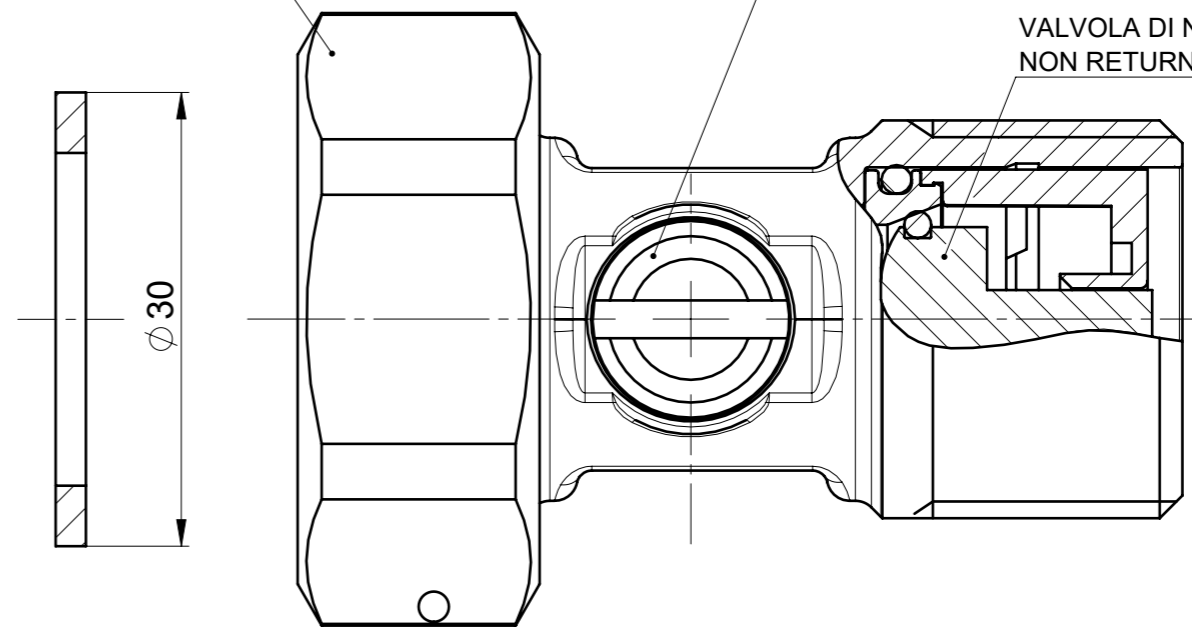
GUARNIZIONE PIANA EPDM Sp. 2mm  
EPDM FLAT GASKET Thk. 2mm



GUARNIZIONE PIANA IN PTFE  
PTFE FLAT GASKET

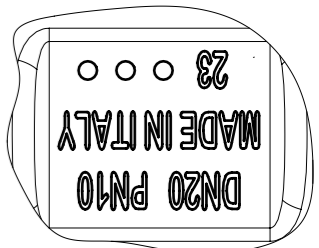


DADO FOLLE CW617N  
SWIVEL NUT CW617N



TAPPO DI ISPEZIONE G1/8" CW724R  
G1/8" INSPECTION PLUG CW724R

VALVOLA DI NON RITORNO  
NON RETURN VALVE



	DISEGNATO/DRAWN S.Murari	DATA/DATE 12/04/2023	APPROVATO/CHECKED M.S.	DATA/DATE 12/04/2023	SCALA/SCALE 2:1	FORMAT A3
	MATERIALE BASE/BASE MATERIAL UNI EN 12165 CW724R	ASPETTO / APPEARANCE GIALLO SABBIAITO / BRASS SANDBLASTED		TENUTA SFERA/SPHERE SEAL -		Datasheet
NUM.DIS/DRAW.-NR. K9000252-DS	DESCRIZIONE/DESCRIPTION KIT DI CONNESSIONE PER CONTATORI G3/4"M x G1" DADO FOLLE WATER METER CONNECTION KIT G3/4"M x G1" SWIVEL NUT					